

# series **G** series

ELECTRONIC  
METERING PUMPS

**DOSEURO**<sup>®</sup>

*The Right Dosing Choice*



Nowadays dosage of liquid chemicals requires still greater precision and versatility of the equipment.

Doseuro, has constantly developed motor driven dosing pumps since 1984 under the flag of latest technologies continuously upgrading accuracy and reliability, while

keeping reasonable cost of spare parts and an easy maintenance facility.

The G family of solenoid driven metering pumps is the true complement to the well known and wide range of Doseuro pumps providing an alternative solution in lower flow rates application field where

end users look forward reliable results and simple operation.

Use of integrated microprocessor and related flexibility makes the G family extremely complete and suitable in such many different cases of constant and proportional dosage with a bounded number of models.

Doseuro has a global network of Partners very close to their own market and highly professional and skilled in dosing application. They can drive our end user and OEM's forward to the best choice of a metering pump according to the plant and chemical to be moved, always obtaining impressive results.



Pump series	Idraulic code	Stroke mm	Stroke number/min	Net weight Kg	Suction height m	Power Watt
G	218	1,2	120	3,5	1,5	65
	107	1,9				
	153	1,9				

### How to read the pump code

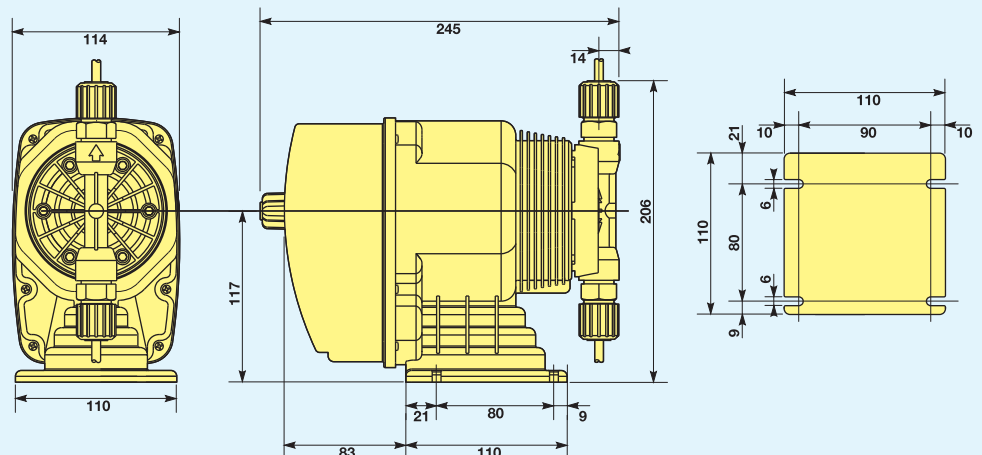
- 1st Series/Type/Model
- 2nd With stroke length regulation when "R"
- 3rd Idraulic code
- 4th Material execution
- 5th Add-on
- 6th Other options



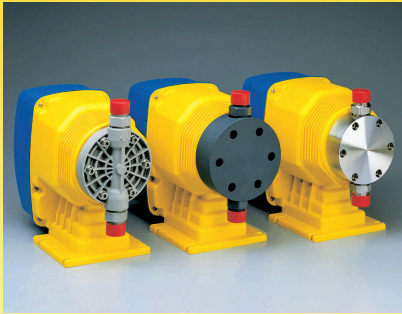
### Hydraulic Codes

Hydraulic code	Max. flow (l/h)	Max. pressure (bar)
218	2	18
	5	10
	8	2
107	10	7
	11	5
	13	2
153	14	4
	15	3
	16	2

### Dimensions



## G series - Solenoid driven diaphragm dosing pump



### Common features to all standard models

- Corrosion-proof reinforced polypropylene housing
- Solid PTFE diaphragm
- Water-resistant IP65 assembly
- Wide choice of liquid ends material: PP, PVC, PVDF, PTFE, SS316
- Suction and delivery double ball valves
- Electronic digital setting by external front keyboard

- Lighting display for full operational control
- Dry-contact input for optional low level switch or remote ON-OFF control
- 230Vac  $\pm$ 10% (50/60Hz) power supply

### All series are also available in "R" execution with

- Stroke length manually adjustable between 10% and 100%

## GF type - Basic frequency control



- Three digits LED display for SPM control
- Digital SPM (strokes per minute) setting from 0% up to 100% of Max delivery
- Dry-contact input for optional low level switch upon demand

## GM type - Proportional and time control



- Multi-purpose micro processor operating software
- Dry-contact input for multiplier/divider ratio setting from external signal
- 4-20mA input for proportional control
- Flow-sensor input with self-learning capability
- Integrated timer capability for daily/weekly

- programming purposes
- Alarm output signal by mean of NO/NC relay
- Two lines, twelve digits LCD display for full operational monitoring
- Digital SPM (strokes per minute) setting from 0% up to 100% of Max delivery

## GS TYPE - Integrated Meter



### Common features of all models

- Permanent memory
- Set point hysteresis adjustment

- Set point time delay adjustment
- Four digits LCD display

### GSA MODEL

- pH integrated metering capability, range 0.00÷14.00 pH
- Display resolution of 0.01 pH
- pH electrode input (10 tera Ohm) on BNC standard plug
- Sensor gain adjustment
- Digital temperature compensation setting within 0÷100 °C range

### GSC MODEL

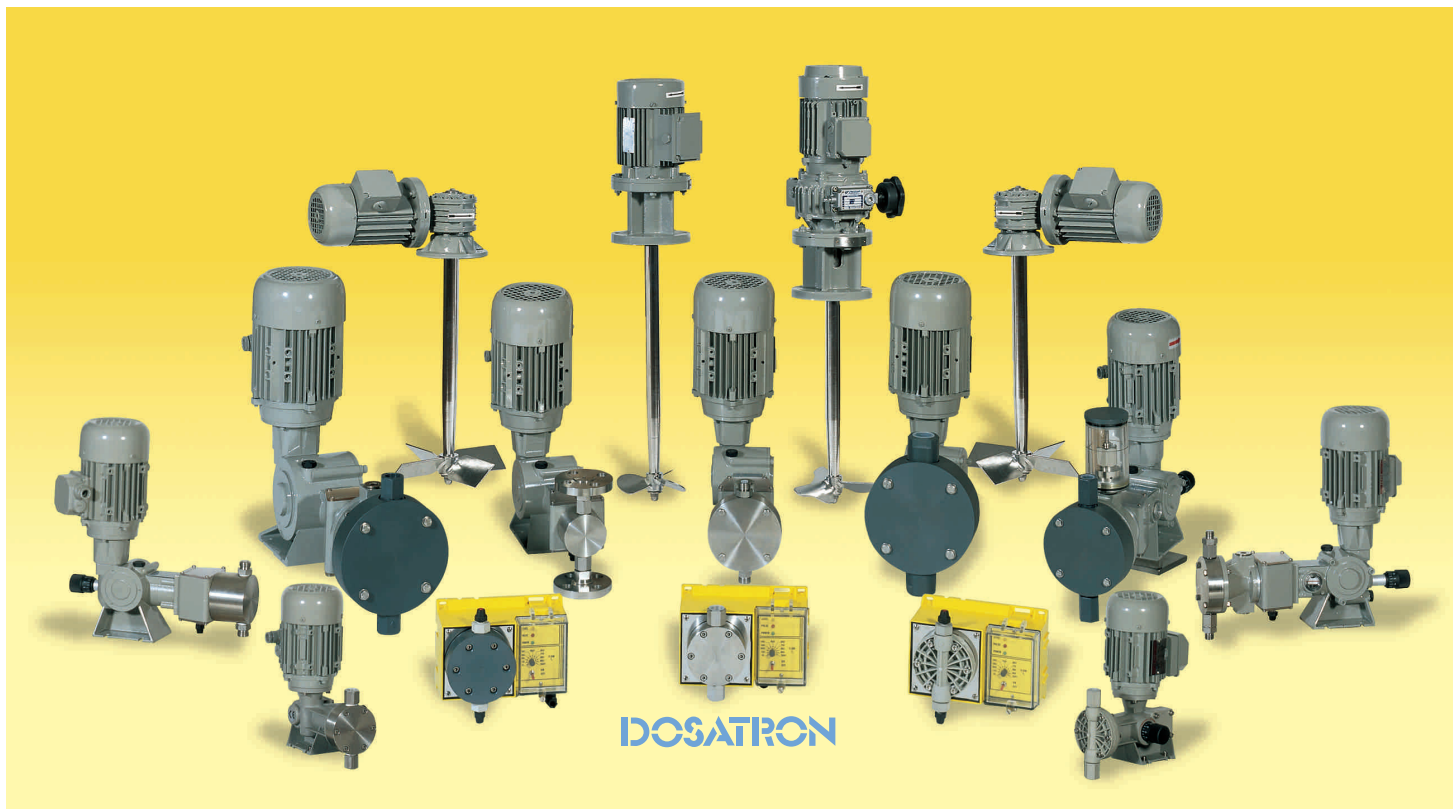
- Chlorine (Cl-) integrated metering capability, range 0÷10.00 ppm (mg/l)
- Display resolution 0.01 ppm
- Zero and gain adjustment

### GSB MODEL

- ORP (Redox) integrated metering capability, range 0÷1000 mV
- Display resolution of 1 mV
- ORP electrode input (10 tera Ohm) on BNC standard plug
- Zero adjustment

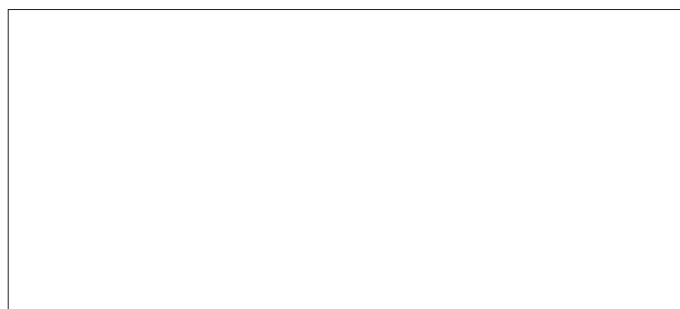
### GSD MODEL

- Conductivity integrated metering capability, range 0÷10.00 mS with K1 sensor
- Optional ranges 0÷1000  $\mu$ S, 0÷100  $\mu$ S, 0÷10  $\mu$ S upon demand and specific sensor
- Display resolution according to chosen range
- Sensor gain adjustment
- Digital temperature compensation setting within 0÷100 °C range



**Our product range includes:**

- Piston metering pumps "A" series;
- Hydraulic diaphragm dosing pumps "B", "BR" and "E" series;
- Mechanical diaphragm dosing pumps "D" and "FM" series;
- Electronic solenoid type diaphragm dosing pumps "GA" series;
- Electronic solenoid type diaphragm dosing pumps "G" series;
- Polyelectrolyte automatic preparation plants "HA" and "HB" series;
- Polypropylene protected high speed mixers;
- High and slow mixers with worm-gear or coaxial reducer.



**DOSEURO®**  
*The Right Dosing Choice*