

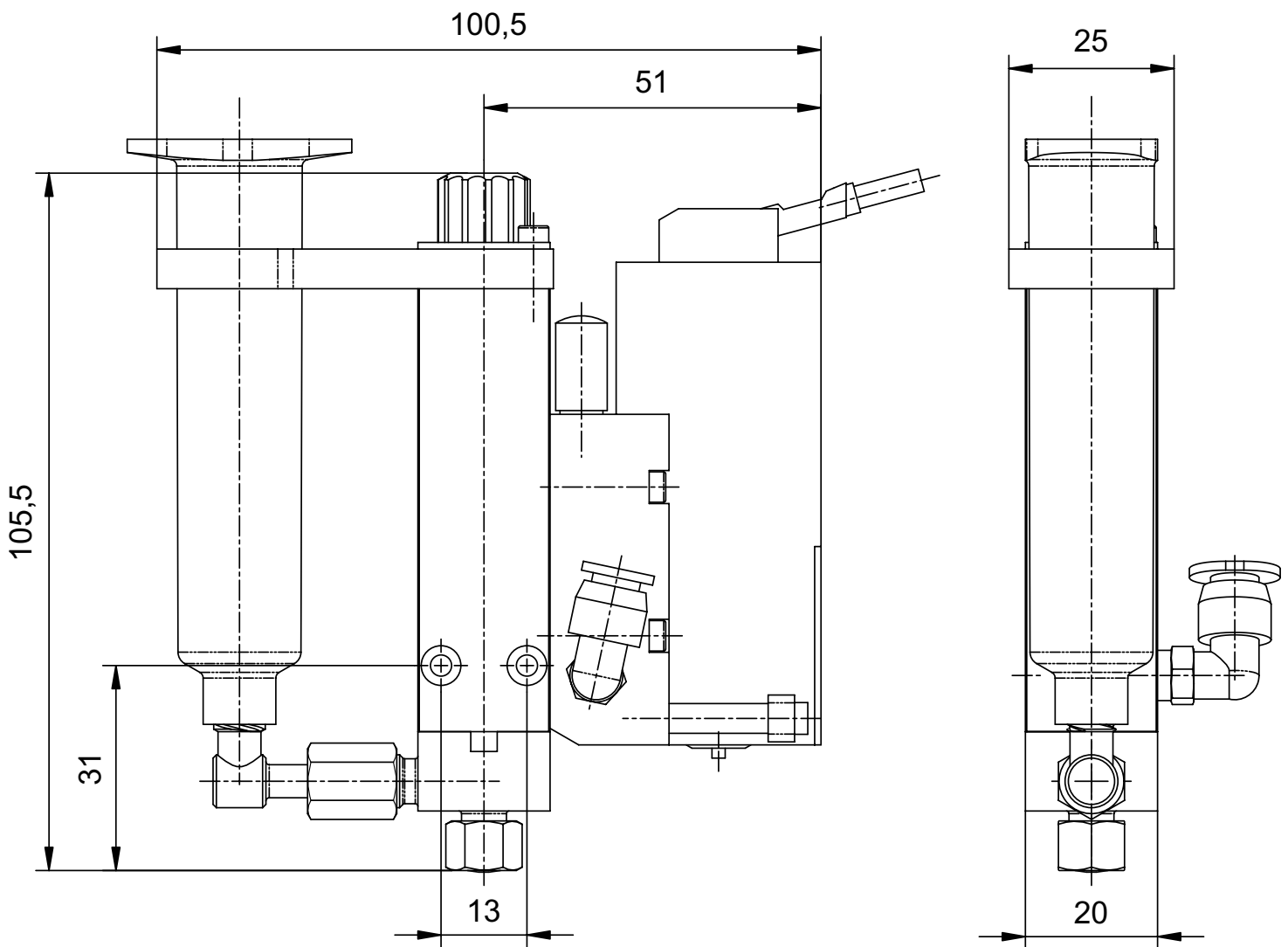
Micro-dispensing Valve P-Dot AN

Pneumatic high-speed
jet valve for dispensing
anaerobic fluids



Features

- Switching time ≤ 1 ms
- Driven by 24 V DC input signal
- Normally closed
- Small shot volumes (30 – 200 nl)
- High accuracy $< 2\%$
- Robust and suitable for industrial applications
- Easy to use and maintain



Specifications

Integrated Dispensing Systems

PO Box 271
Banbury
OX16 9FE

Phone 01295 277731
Fax 01295 277732

enquiries@fluidmetering.co.uk
www.fluidmetering.co.uk

Initial position	NC (normally closed)
Shot size	30 – 200 nl
Viscosity range	50 – 3.000 mPas (thixotrop)
Accuracy	< 2%
Frequency	Up to 150 Hz
Fluid pressure	Up to 10 bar
Operating medium	Cleaned compressed air, oil-free, filter unit (40 µm)
Operating pressure	2 to 8 bar
Switching time	< 1 ms
Electrical input	24 V, SPS compatible
Service life	> 10 ⁸ shots
Weight	240 g
Ambient temperature	-5 to +40° C
Construction	Robust industrial design