

1209-530 Series

Mastic Fluid Regulator

Air Operated High Pressure



1209-530 Mastic Fluid Regulator

Features and Benefits

- ▶ Provides consistent material pressure from the supply source to the dispense valve or metering systems
- ▶ Pneumatic regulator can be mounted on the regulator or remotely for convenient control
- ▶ Accepts up to 5000 psi (345 bar; 34.5 MPa) inlet pressure and 500 to 3500 psi (34 to 241 bar; 3.4 to 24.1 MPa) outlet pressure
- ▶ Carbon Steel construction with carbide ball and seat
- ▶ High pressure and high volume flow rate capable
- ▶ 3/4" NPT fluid ports

Accurate material regulation for a large variety of applications. Mastic regulators are used where one pump supplies multiple guns to dispense mastics and other semi-solid materials or when it is important to operate guns at lower fluid pressures.

When the regulators are installed ahead of each dispense gun, they control pressure so the guns furthest from the pump have sufficient pressure for effective operation, and those close to the pump are not over-pressured. They also moderate flow surges when line valves are opened or when pump changeover occurs.

Application methods include extrude, shower, stream, swirl and spray.

1209-530 Series Mastic Fluid Regulator



Specifications:

Inlet Pressure:	5,000 P.S.I. Maximum
Regulated Outlet Pressure:	250 – 4,500 P.S.I. (2.8 – 31.0 MPa, 17 – 310 bar)
Fluid Ports:	3/4" NPT(f)
Fluid Outlet Port:	(1) 1/2" NPT (f) manifold port
Maximum Air PSI:	100 PSI (0.69 Moa, 6.9 bar)

Regulator Service Kit:

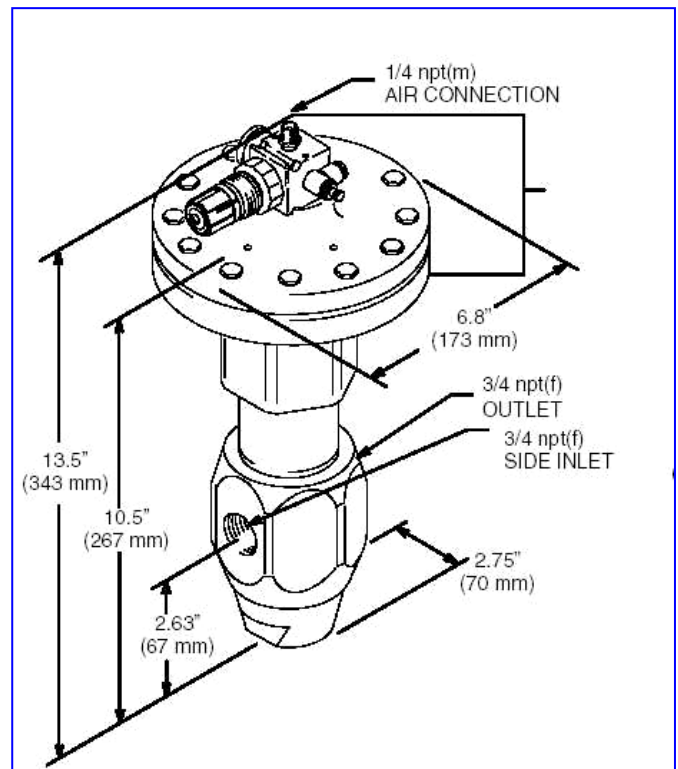
Service Kit : 001855-035876

Typical Applications

- Underbody & Sealer
- Anti-Flutter Mastic
- Structural Adhesive
- Sound Deadener
- Powertrain Sealers
- Metering System Supply

Materials

- Urethanes
- Epoxies
- Silicones
- PVC Sealers
- Lubricants
- Others



1209-530 Porting and Dimensions



Manufacturers of Precision Dispense Systems & Valves

45677 Helm Street • P.O. Box 701460
Plymouth, MI 48170 • USA
Phone: (734) 459-8600 Fax: (734) 459-8686
www.SealantEquipment.com
Email: valves@sealantequipment.com

Form 1209-530